

### SCOPE

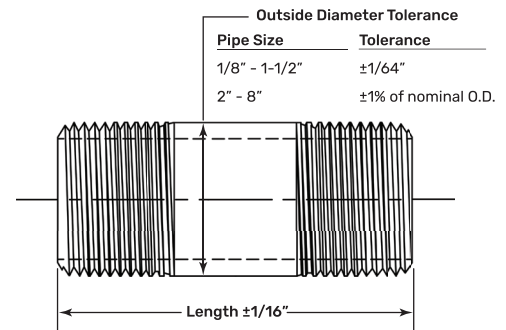
Fayette Nipples are proudly manufactured in the USA. All of our Black and Galvanized Welded pipe nipples are produced from ASTM A53 steel pipe. They are threaded in compliance with SME/ANSI B1.20.1 threading standards to maintain the highest tolerances possible. Our steel pipe nipples are produced in accordance with ASTM A733 the standard of steel pipe nipples.

### SPECIFICATIONS

**Dimension:** All nipples are produced in accordance with ASTM A733

**Threads:** All nipples are produced in accordance with ASME/ANSI B1.20.1

**Finish:** Black  
 Hot Dip Galvanized meets ASTM A53 requirements  
 Zinc Plating meets ASTM A153 requirements



Nipples over 12" long have a length tolerance of ±1/8".

### DIMENSIONS

Pipe Size in.	Pipe O.D. in.	Length Close	Pipe Nipple Lengths
1/8	0.405	3/4	1-1/2, 2, 2-1/2, 3, 3-1/2, 4, 4-1/2, 5, 5-1/2, 6, 7, 8, 9, 10, 11, 12
1/4	0.540	7/8	1-1/2, 2, 2-1/2, 3, 3-1/2, 4, 4-1/2, 5, 5-1/2, 6, 7, 8, 9, 10, 11, 12
3/8	0.675	1	1-1/2, 2, 2-1/2, 3, 3-1/2, 4, 4-1/2, 5, 5-1/2, 6, 7, 8, 9, 10, 11, 12
1/2	0.840	1-1/8	1-1/2, 2, 2-1/2, 3, 3-1/2, 4, 4-1/2, 5, 5-1/2, 6, 7, 8, 9, 10, 11, 12, 18, 24, 30, 36, 48, 60, 72
3/4	1.050	1-3/8	1-1/2, 2, 2-1/2, 3, 3-1/2, 4, 4-1/2, 5, 5-1/2, 6, 7, 8, 9, 10, 11, 12, 18, 24, 30, 36, 48, 60, 72
1	1.315	1-1/2	2, 2-1/2, 3, 3-1/2, 4, 4-1/2, 5, 5-1/2, 6, 7, 8, 9, 10, 11, 12, 18, 24, 30, 36, 48, 60, 72
1-1/4	1.660	1-5/8	2, 2-1/2, 3, 3-1/2, 4, 4-1/2, 5, 5-1/2, 6, 7, 8, 9, 10, 11, 12, 18, 24, 30, 36, 48, 60, 72
1-1/2	1.900	1-3/4	2, 2-1/2, 3, 3-1/2, 4, 4-1/2, 5, 5-1/2, 6, 7, 8, 9, 10, 11, 12, 18, 24, 30, 36, 48, 60, 72
2	2.375	2	2-1/2, 3, 3-1/2, 4, 4-1/2, 5, 5-1/2, 6, 7, 8, 9, 10, 11, 12, 18, 24, 30, 36, 48, 60, 72
2-1/2	2.875	2-1/2	3, 3-1/2, 4, 4-1/2, 5, 5-1/2, 6, 7, 8, 9, 10, 11, 12
3	3.500	2-5/8	3, 3-1/2, 4, 4-1/2, 5, 5-1/2, 6, 7, 8, 9, 10, 11, 12
3-1/2	4.000	2-3/4	3-1/2, 4, 4-1/2, 5, 5-1/2, 6, 7, 8, 9, 10, 11, 12
4	4.500	2-7/8	4, 4-1/2, 5, 5-1/2, 6, 7, 8, 9, 10, 11, 12
5	5.563	3	4-1/2, 5, 5-1/2, 6, 7, 8, 9, 10, 11, 12
6	6.625	3-1/8	4-1/2, 5, 5-1/2, 6, 7, 8, 9, 10, 11, 12

**Note:** Other lengths and specials are available upon request.

We guarantee that all galvanized pipe nipples are manufactured and inspected in the US and are not exposed to mercury or any other metal alloy that is liquid during the manufacturing process, or while in our possession.

**Fayette Nipple**  
 2282 University Drive  
 Lemont Furnace, PA 15456  
 724.438.7600  
 sales@fayettepipe.com  
 www.fayettenipple.com



VETERAN OWNED



MADE IN THE U.S.A.



FAMILY OPERATED