



### SCOPE

Covers black electric-resistance welded Grade A pipe with nominal wall thickness as shown. Pipe is intended for use as Fire Protection Pipe. Pipe is suitable for welding, or roll grooving. Produced to the latest revision of ASTM A795/A135. All products are produced in 21' lengths with a tolerance of +/- .050". This pipe is not intended for threading.

### PRODUCT MARKING

Each length of pipe is continuously stenciled to show the manufacturer, the grade of pipe ASTM A795/A135, the kind of pipe (E for Electric Resistance Welded, A for Grade A), and length.

Each bundle of STD A795/A135 will have a tag securely attached showing quantity, run #, and dimensions.

### DIMENSIONS & WEIGHT

NPS	OD/in.	ID/in.	Nom. Wall Thickness	Wt. (lbs./ft.)	ULCRR*	Pieces per Bundle
1-1/4	1.660	1.528	.066	1.108	1.800	61
1-1/2	1.900	1.740	.080	1.556	2.640	61
2	2.375	2.215	.080	1.961	2.140	37
2-1/2	2.875	2.707	.084	2.504	1.430	30

\*The CRR is a ratio value used to measure the ability of pipe to withstand corrosion. This number is calculated using Standard UL CRR formula, UL Fire Protection Directory, Category VIZY.

### FREQUENCY OF TESTS

Pipe is continually tested using an eddy-current system.

### END FINISH

Plain End	Beveled 30 Degree +5,-0
Roll Grooved	To Victaulic 25.09 4050 Rev M



America's first LED UV-curing pipe-coating technology is engineered to meet rigorous demands, delivering unmatched performance and aesthetic appeal.



Protects pipe interiors from MIC and oxygen corrosion, ensuring lasting benefits through additional, routine treatment options.

### CHEMICAL REQUIREMENTS

Composition, Max. %

\*Combination of these five elements shall not exceed 1.00%

Carbon	Manganese	Phosphorus	Sulfur
0.30	1.20	0.035	0.035

### PERMISSIBLE VARIATIONS IN WALL THICKNESS

Minimum wall thickness at any point shall not be more than 12.5% under nominal wall thickness specified.

### PERMISSIBLE VARIATIONS IN OUTSIDE DIAMETER

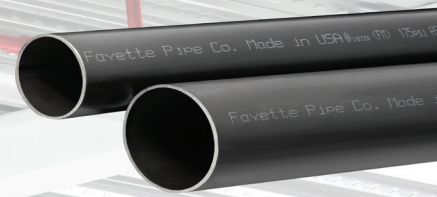
Pipe shall not vary more than +/- 0.016" from the standard specified.

### PERMISSIBLE VARIATIONS IN WEIGHT PER FOOT

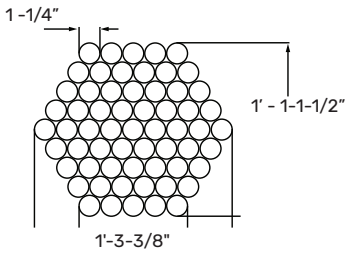
Pipe shall not vary more than +/- 10% from the standard specified.

**Fayette Pipe**  
2282 University Drive  
Lemont Furnace, PA 15456  
724.438.7600  
sales@fayettepipe.com  
www.fayettepipe.com

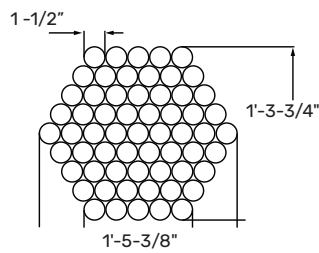




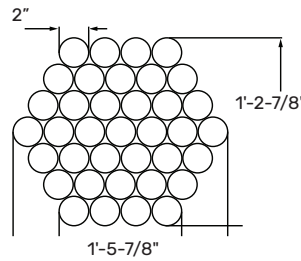
**1-1/4" PIPE**  
**61 PIECES**  
1398 LBS 2.27 LB/FT  
5,6,7,8,9,8,7,6,5



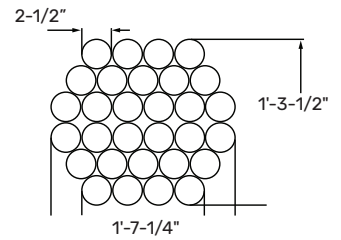
**1-1/2" PIPE**  
**61 PIECES**  
1983 LBS 2.72 LB/FT  
5,6,7,8,9,8,7,6,5



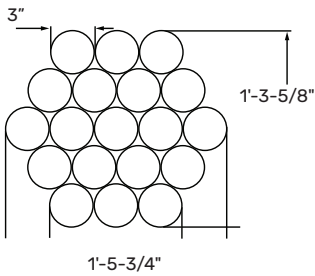
**2" PIPE**  
**37 PIECES**  
1517 LBS 3.65 LB/FT  
4,5,6,7,6,5,4



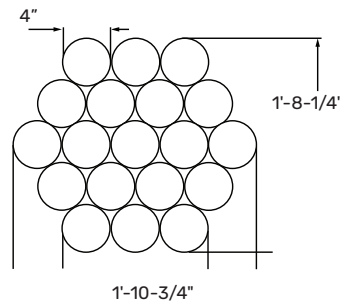
**2-1/2" PIPE**  
**30 PIECES**  
1568 LBS 5.79 LB/FT  
4,5,6,6,5,4



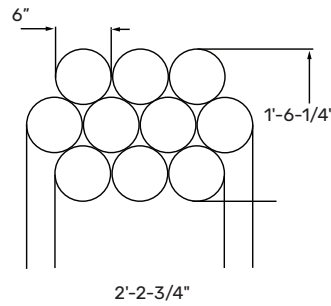
**3" PIPE**  
**19 PIECES**  
1325 LBS 7.58 LB/FT  
3,4,5,4,3



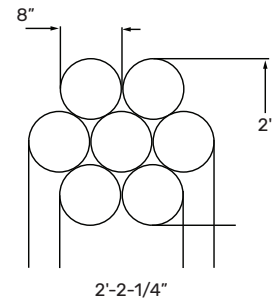
**4" PIPE**  
**19 PIECES**  
1718 LBS 7.58 LB/FT  
3,4,5,4,3



**6" PIPE**  
**10 PIECES**  
2069 LBS 7.58 LB/FT  
3,4,3



**8" PIPE**  
**7 PIECES**  
2069 LBS 7.58 LB/FT  
2,3,2



**Fayette Pipe**  
2282 University Drive  
Lemont Furnace, PA 15456  
724.438.7600  
sales@fayettepipe.com  
www.fayettepipe.com

